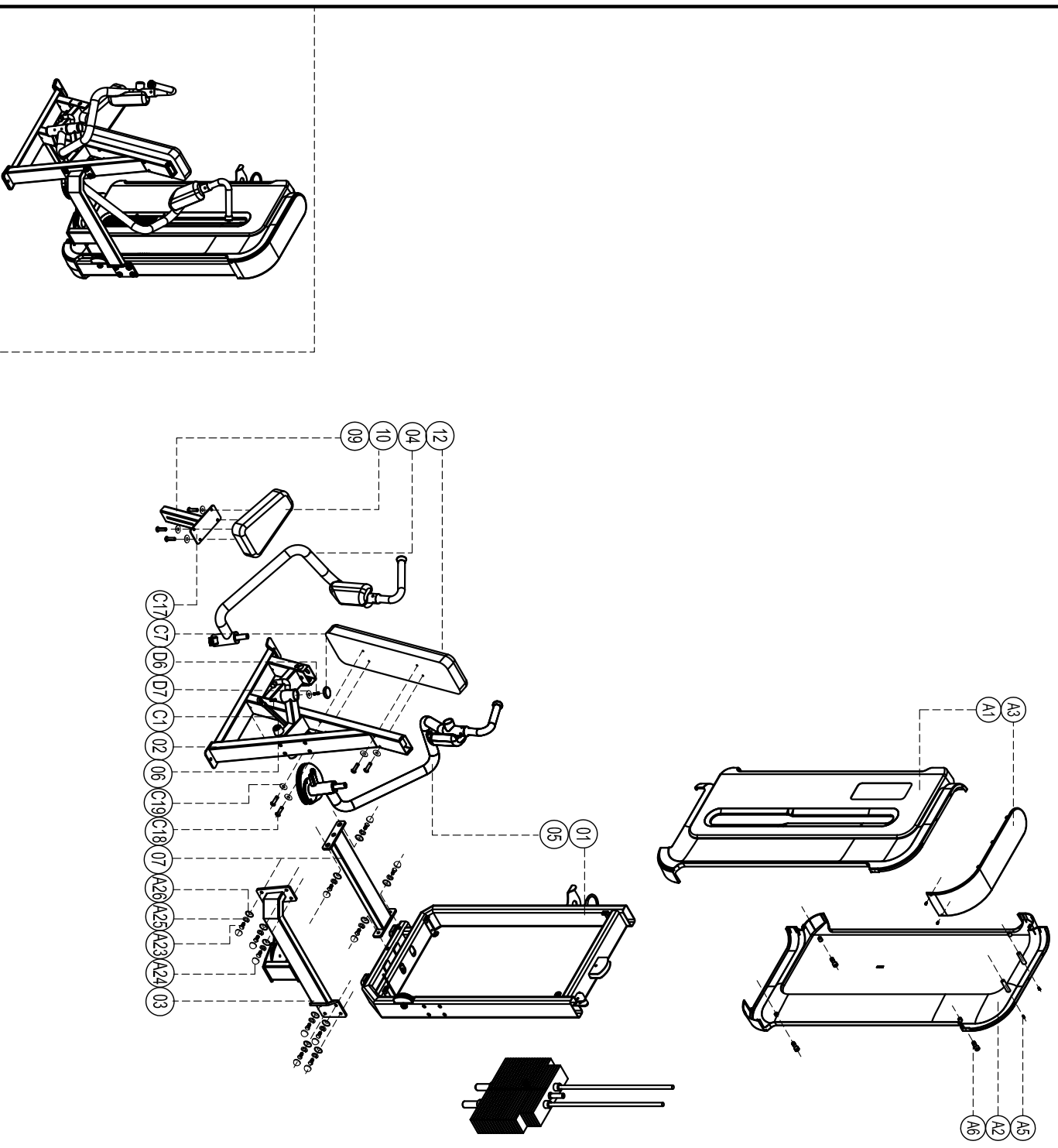


Exploded

H3004 Pectoral Machine

please note :parts didn't demolitione part and fast eners not listde on the introduction



D7	Big flat washer C088	2
D6	Cup hea inner hex screw M10*25	2
C19	Flat washer φ8	8
C18	Cup head inner hex screw M8*80	4
C17	Cup head inner hex screw M8*35	4
C7	Cover	2
C1	Shoulder screw φ10*20	2
A26	Gasket 10003	12
A25	Spring washer φ12	12
A24	Screw cap S208	12
A23	Outer hex screw M12*35	12
A6	Cup head inner hex screw M5*15	8
A5	Cup head cross tapping screw S1388	4
A3	Top cover	1
A2	Back shroud	1
A1	Front shroud	1
T12	Backrest D2205	1
T10	Cushion D2203	1
T09	Cushion adjustment	1
T07	Bottom connector	1
T06	Connector	1
T05	Right arm set	1
T04	Left arm set	1
T03	Top connector	1
T02	Main frame	1
01	Door frame	1
Number	Name	Quantity