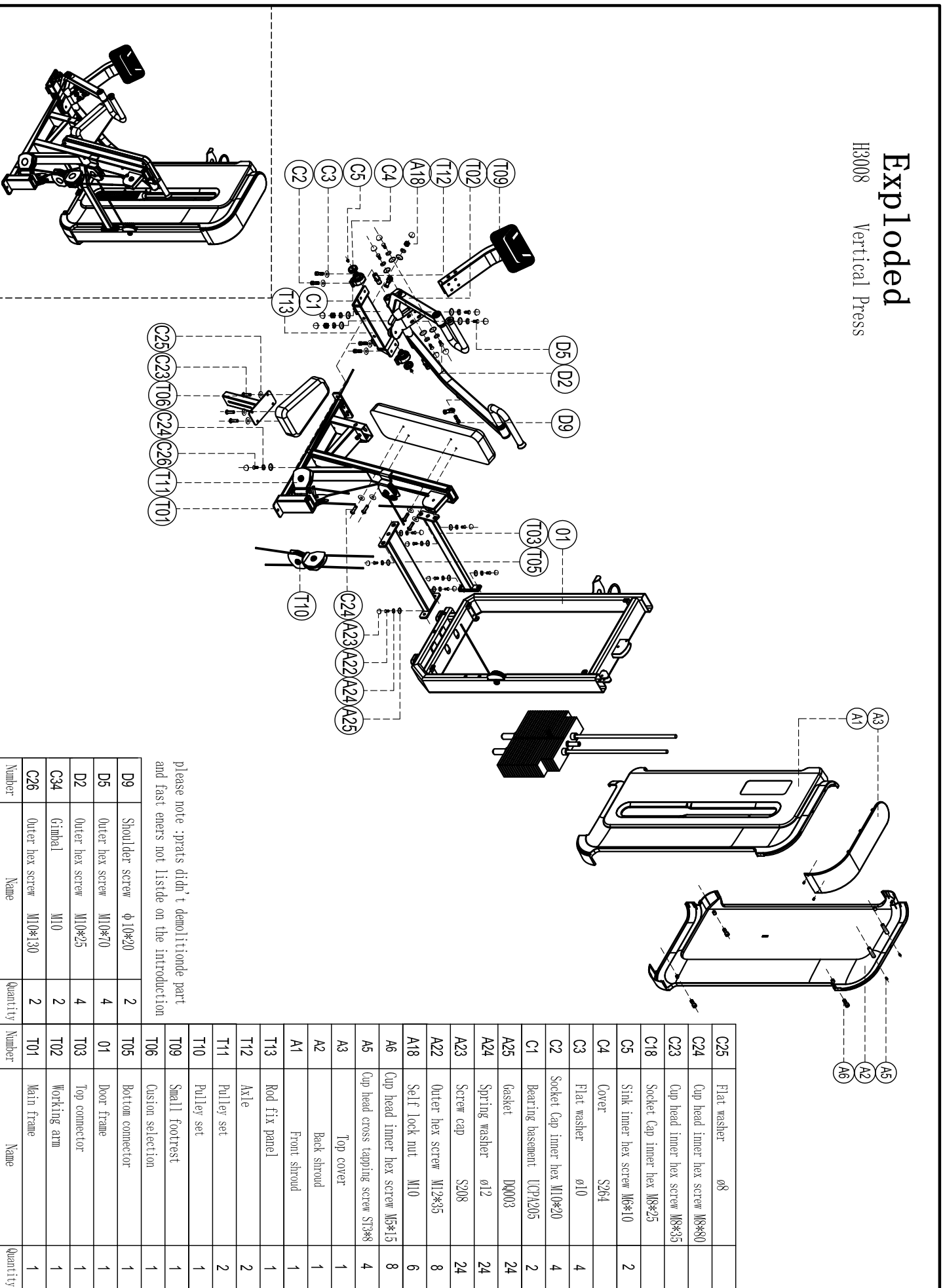


Exploded

H3008 Vertical Press



please note :prats didn't demolitionne part and fast eners not lliste on the introduction

Number	Name	quantity	Number	Name	quantity
D9	Shoulder screw φ10*20	2	T05	Bottom connector	1
D5	Outer hex screw M10*70	4	T01	Main frame	1
D2	Outer hex screw M10*25	4			
C34	Gimbal M10	2			
C26	Outer hex screw M10*130	2			
			C25	Flat washer φ8	
			C24	Cup head inner hex screw M8*80	
			C23	Cup head inner hex screw M8*35	
			C18	Socket Cap inner hex M8*25	
			C5	Sink inner hex screw M6*10	2
			C4	Cover S264	
			C3	Flat washer φ10	4
			C2	Socket Cap inner hex M10*20	4
			C1	Bearing basement UCPA205	2
			A25	Gasket D0003	24
			A24	Spring washer φ12	24
			A23	Screw cap S208	24
			A22	Outer hex screw M12*35	8
			A18	Self lock nut M10	6
			A6	Cup head inner hex screw M5*15	8
			A5	Cup head cross tapping screw S1388	4
			A3	Top cover	1
			A2	Back shroud	1
			A1	Front shroud	1
			T13	Rod fix panel	1
			T12	Axle	2
			T11	Pulley set	2
			T10	Pulley set	1
			T09	Small footrest	1
			T06	Cusion selection	1