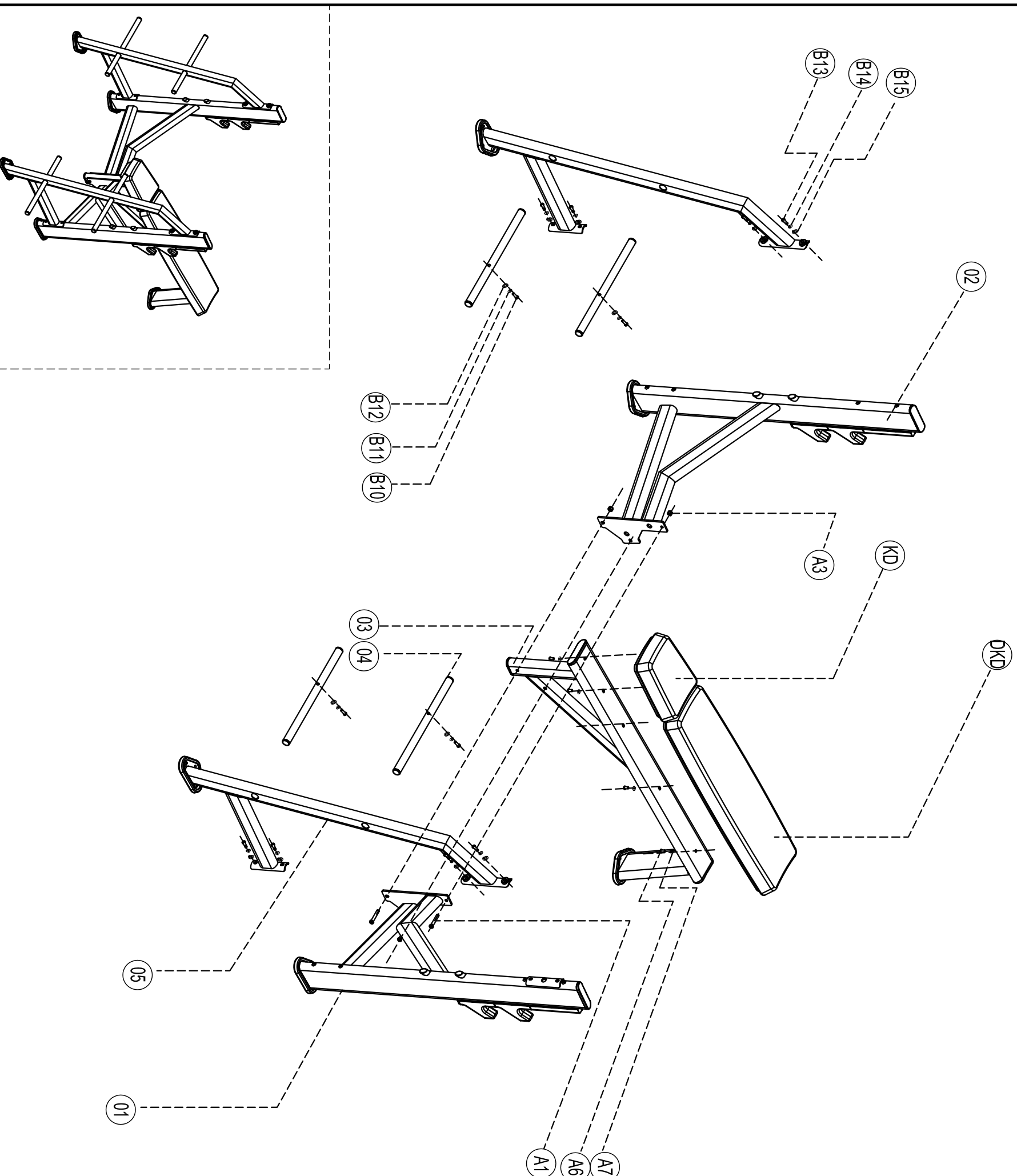


# Exploded

## E7043 Olympic Bench

please note :prats didn't demotionde part and fast eners not listde on the introduction



B15	Spring gasket $\phi$ 12	8
B14	Flat washer $\phi$ 12	8
B13	Cylindrical head screws M12*35	8
B12	Spring gasket $\phi$ 12	4
B11	Flat washer $\phi$ 12	4
B10	Cylindrical head screws M12*60	4
A7	Flat washer $\phi$ 8	5
A6	Cup head inner hex screw M8*70	5
A3	Self-locking Nuts M10	3
A1	Cylindrical head screws M10*70	3
ZD	Cushion	1
DKD	Cushion	1
05	Rear support components	2
04	Hanging arm rod ZJ015	4
03	Cushion fixing plus	1
02	Left column assembly	1
01	Right column assembly	1
Number	Name	Quantity