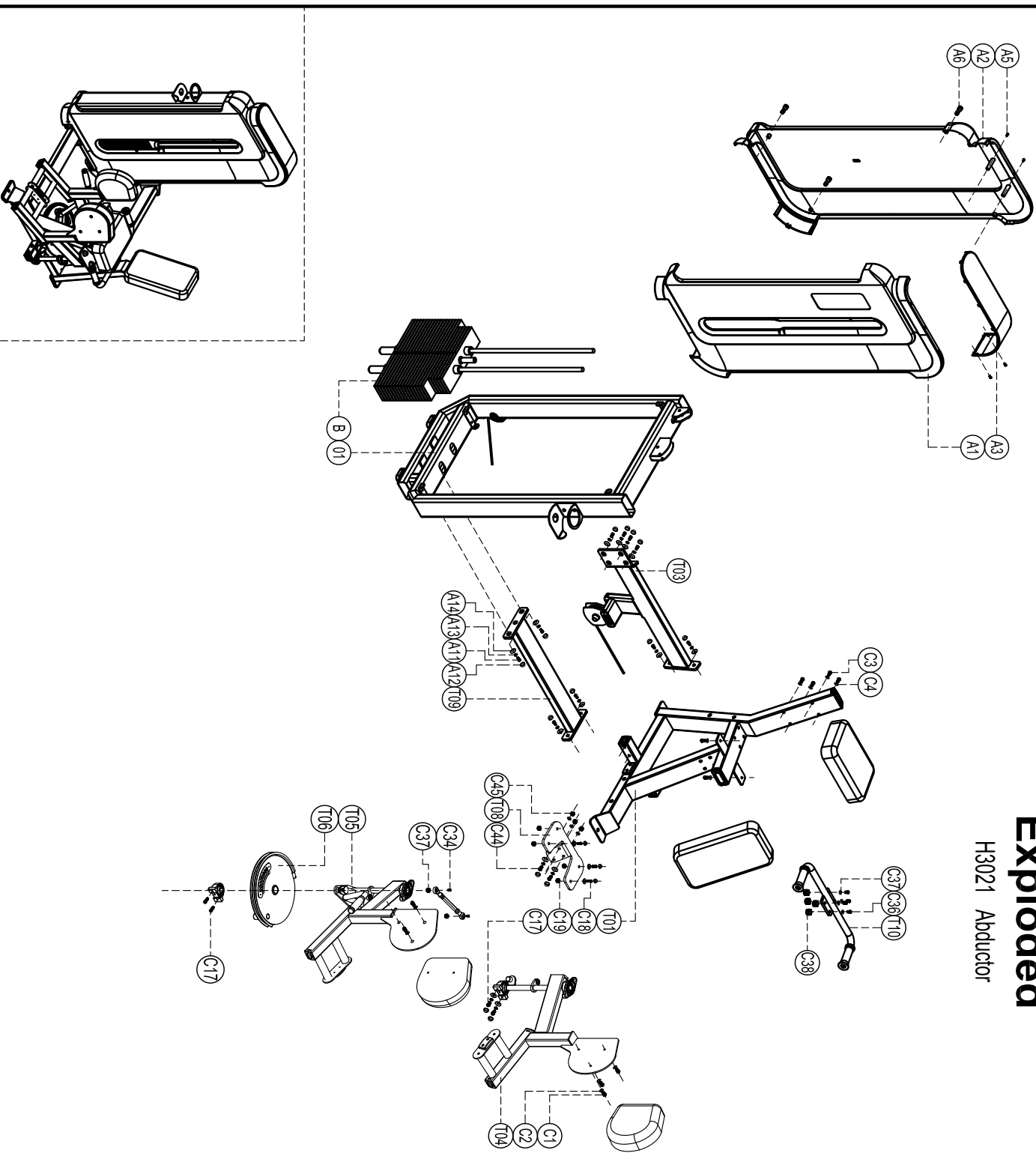


# Exploded

## H3021 Abductor



please note :parts didn't demolitionde part and fasteners not listde on the introduction

| Number | Name                                | Quantity |
|--------|-------------------------------------|----------|
| C45    | self lock nut M12                   | 4        |
| C44    | Outer hex screw M12*75              | 4        |
| C41    | self lock nut M10                   | 4        |
| C40    | Spring washer Φ10                   | 4        |
| C39    | Outer hex screw M10*75              | 4        |
| C37    | self lock nut M8                    | 2        |
| C34    | Shoulder screw ø10*30               | 2        |
| C19    | self lock nut M12                   | 4        |
| C18    | Outer hex screw M12*35              | 4        |
| C17    | Outer hex screw M10*65              | 4        |
| C4     | Flat washerΦ8                       | 4        |
| C3     | Cup head inner hex screw M8*80      | 4        |
| C2     | Flat washerΦ8                       | 8        |
| C1     | Cup head inner hex screw M8*35      | 8        |
| B      | weight stack set                    | 1        |
| A14    | Gasket DQ003 φ 29, 8*φ 12*14        | 10       |
| A13    | Spring washer Φ12                   | 10       |
| A12    | Screw cap S277 φ 33*16              | 10       |
| A11    | Outer hex screw M12*35              | 10       |
| A6     | Cup head inner hex screw M5*15      | 8        |
| A5     | Cup head cross tapping screw S13*89 | 4        |
| A3     | Top cover                           | 1        |
| A2     | Back shroud                         | 1        |
| A1     | Front shroud                        | 1        |
| T10    | Handle set                          | 1        |
| T09    | Bottom connector                    | 1        |
| T08    | Cam sets                            | 1        |
| T06    | Cam sets                            | 1        |
| T05    | Rotary support sets                 | 1        |
| T04    | Rotary support sets                 | 1        |
| T03    | Back connector                      | 1        |
| 01     | Door frame                          | 1        |
| T01    | Main frame                          | 1        |