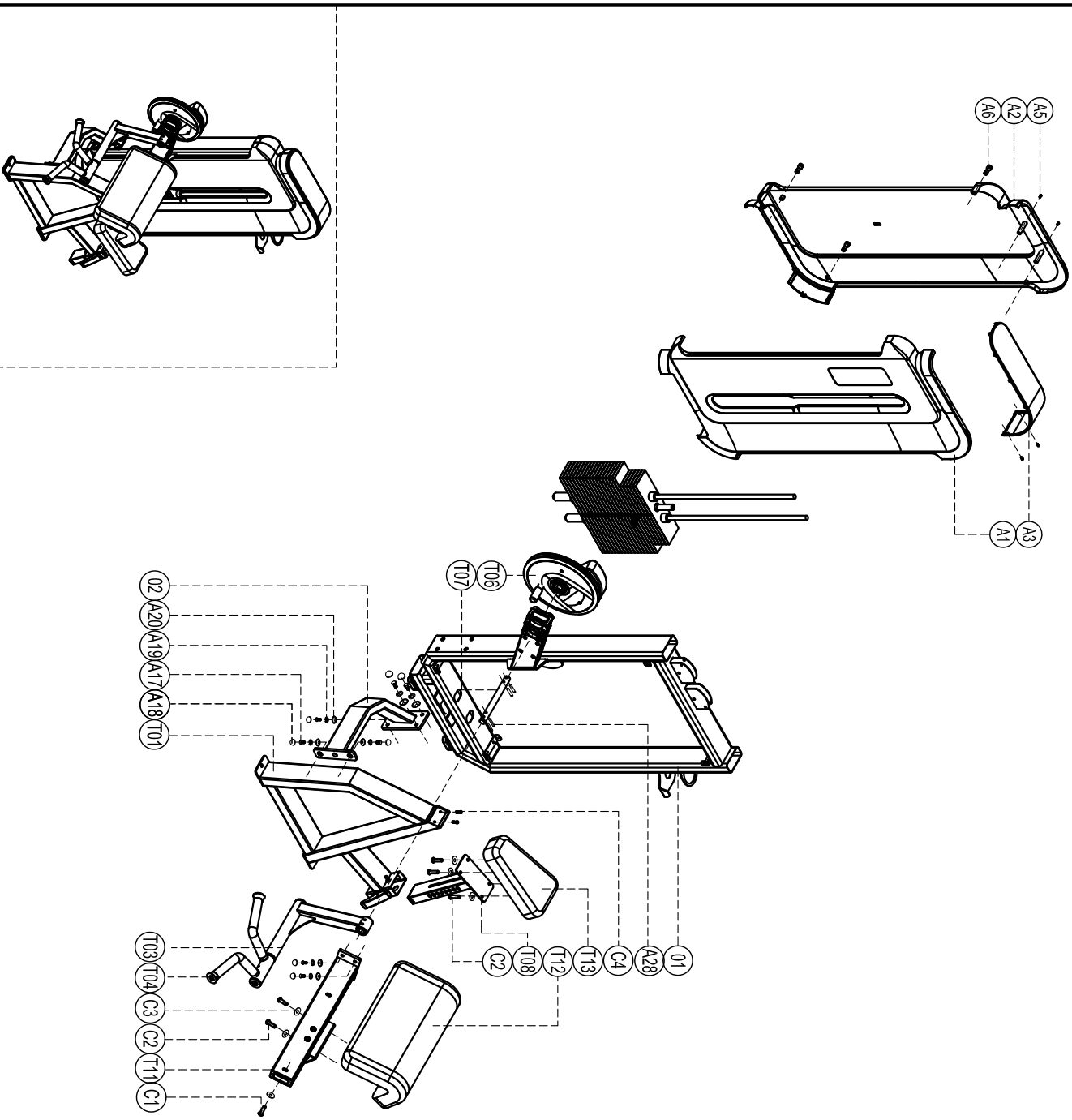


Exploded

H3030 Camber Curr1

please note :parts didn't demolitionde part
and fast eners not lisdte on the introduction



Number	Name	Quantity
C4	Socket Cap inner hex M10*60	2
C3	Washer φ8	8
C2	Cup head inner hex screw M8*35	6
C1	Cup head inner hex screw M8*80	2
A28	Dowel pin φ8*50	4
A20	Gasket D6003	10
A19	Spring washer φ12	10
A18	Screw cap S208	10
A17	Outer hex screw M12*35	10
A6	Cup head inner hex screw M5*15	8
A5	Cup head cross tapping screw S13*8	4
A3	Top cover	1
A2	Back shroud	1
A1	Front shroud	1
13	Seat D2203	1
12	Elbow cushion D2207	1
11	Elbow cushion fixing	1
08	Cushion adjustment	1
07	Axle	1
06	Cam frame	1
05	Connector	1
04	Handle frame	1
03	Working arm	1
02	Door frame	1
01	Main frame	1