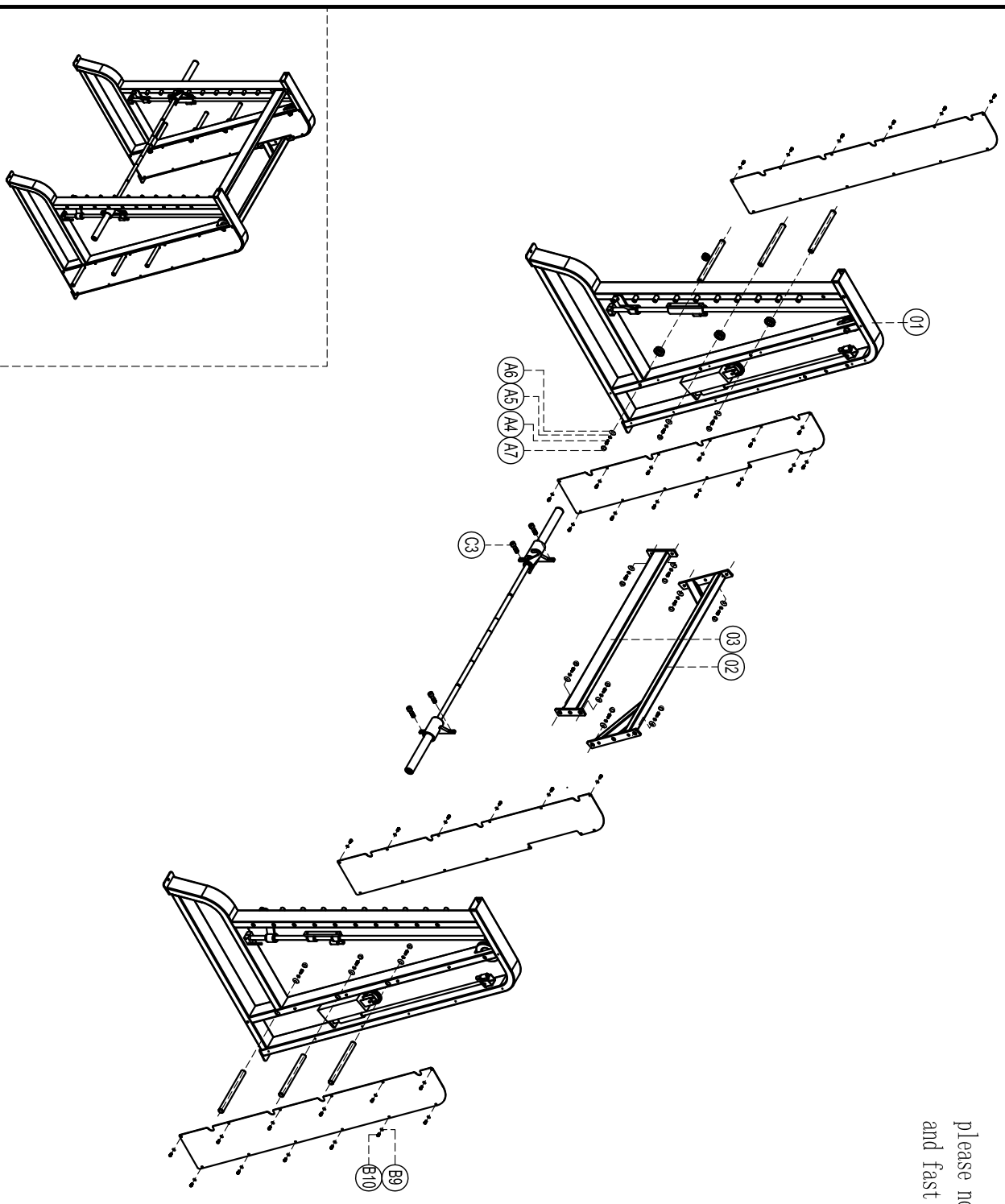


Exploded

E3063 SMITH MACHINE

please note :prats didn't demolitionde part
and fast eners not listrde on theintroduction



| No. | Name | Qty |
|-----|-------------------------------|-----|
| C3 | Socket Cap inner hex M10*20 | 4 |
| B10 | Cup head crossing screw M5*10 | 50 |
| B9 | Flat washer Φ5 | 50 |
| A7 | Screw cap S277 | 16 |
| A6 | Gasket D0003 | 16 |
| A5 | Spring washer Φ12 | 16 |
| A4 | Outside hex screw M12*35 | 16 |
| 03 | Connection | 1 |
| 02 | Connection set | 1 |
| 01 | Main frame | 2 |