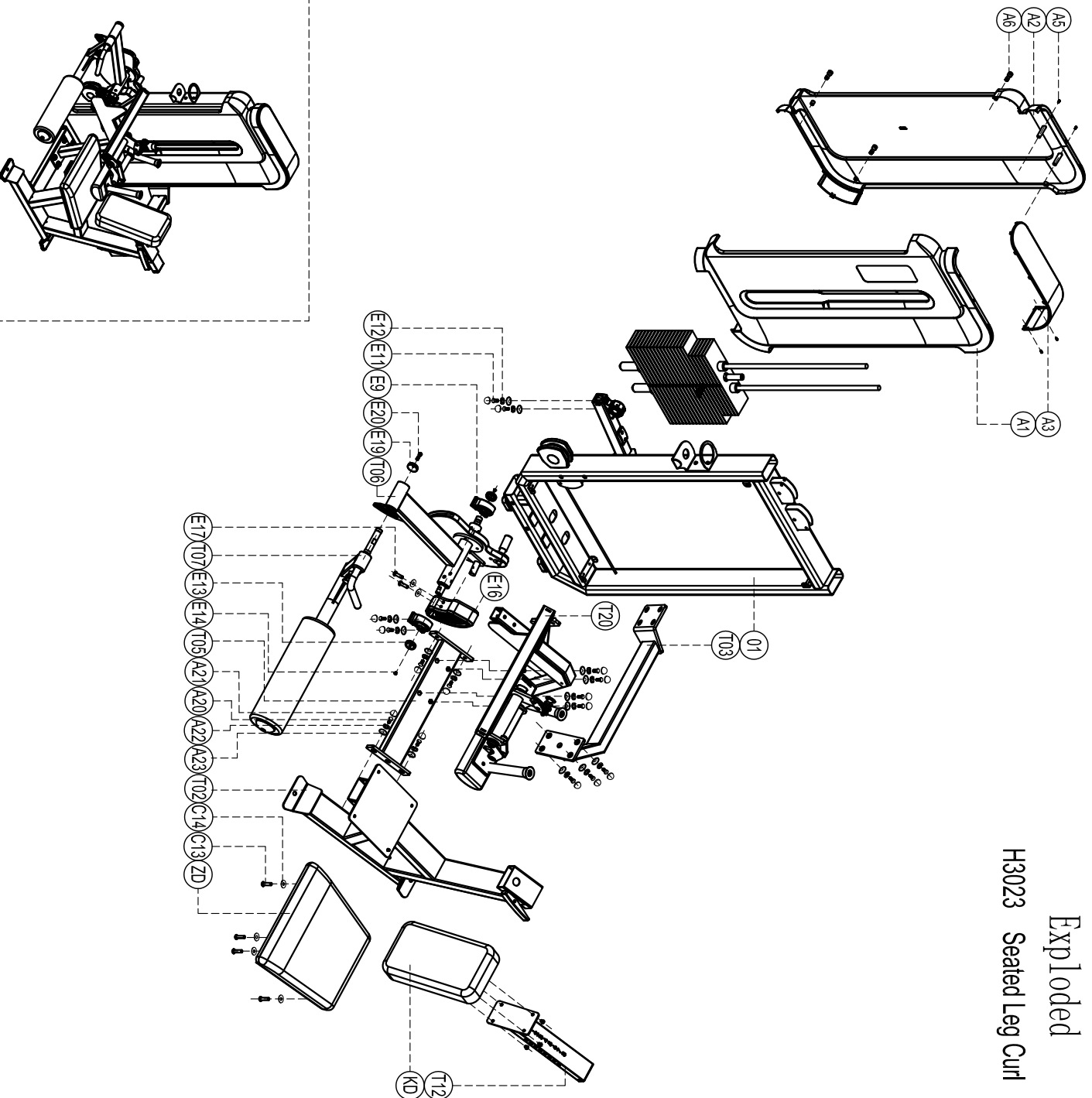


Exploded

H3023 Seated Leg Curl



please note :parts didn't demolitione part and fast eners not listde on the introduction

E20	Socket Cap inner hex M10*16	4
E19	Cover B310	1
E17	Socket Cap inner hex M8*10	2
E16	Weight	1
E14	Sink inner hex screw M6*10	2
E13	Cover S264	2
E12	Spring washer φ 10	4
E11	Outer hex screw M10*65	4
E9	Bearing basement ,1046	2
C14	Flat washer φ 8	10
C13	Cap head inner hex screw M8*35	10
B	weight stack set	1
A23	Gasket D1003	18
A22	Spring washer φ 12	18
A21	Screw cap S208	18
A20	Outer hex screw M12*35	18
A6	Cup head inner hex screw M5*15	8
A5	Cup head cross tapping screw ST3*8	4
A3	Top cover	1
A2	Back shroud	1
A1	Front shroud	1
KD	Backrest DZ201	1
ZD	Buffering washer F080	1
12	Cushion adjustment	1
20	Working ara support	1
07	Leg pressing SET	1
06	Movable arm set	
05	Bottom connector	1
04	Cam sets	1
03	Top connector	1
02	Cushion fixed set	1
01	Door frame	1
Number	Name	quantity