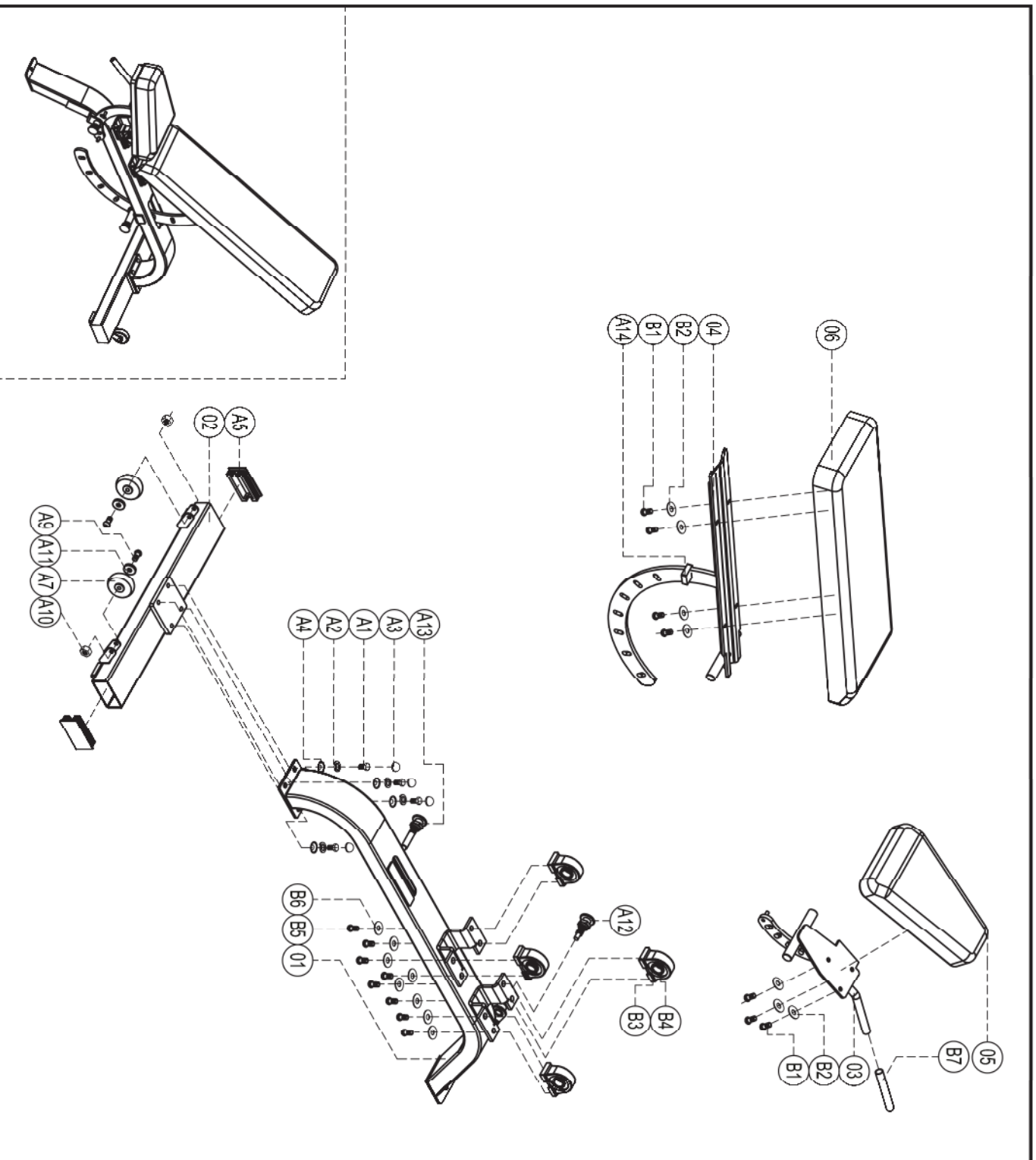


# Exploded

please note :prats didn't  
démotionne part and fast eners  
not liste on the introduction



B7	handle bar cover $\phi$ 20	1
B6	flat washer $\phi$ 8	8
B5	Snap head timer hex screw M8*25	8
B4	bearing UC205	4
B3	bearing block PA205	4
B2	flat washer $\phi$ 8	7
B1	Snap head timer hex screw M8*35	7
A13	bolt LX013	1
A12	bolt LX011	1
A11	flat washer $\phi$ 8	2
A10	hex nut M8	2
A9	Snap head timer hex screw M8*40	2
A7	Roller S233 $\phi$ 12* $\phi$ 75*123	2
A5	tube plug S230 50*100	2
A4	drum washer $\phi$ 12* $\phi$ 30*11.5	4
A3	cover S220 $\phi$ 30	4
A2	$\phi$ 12 spring washer	4
A1	outside hex screw M12*20	4
06	back cushion	1
05	cushion	1
04	back cushion frame	1
03	cusion selection frame	1
02	Floor portfolio	1
01	main frame	1
serial number	Name	quantity