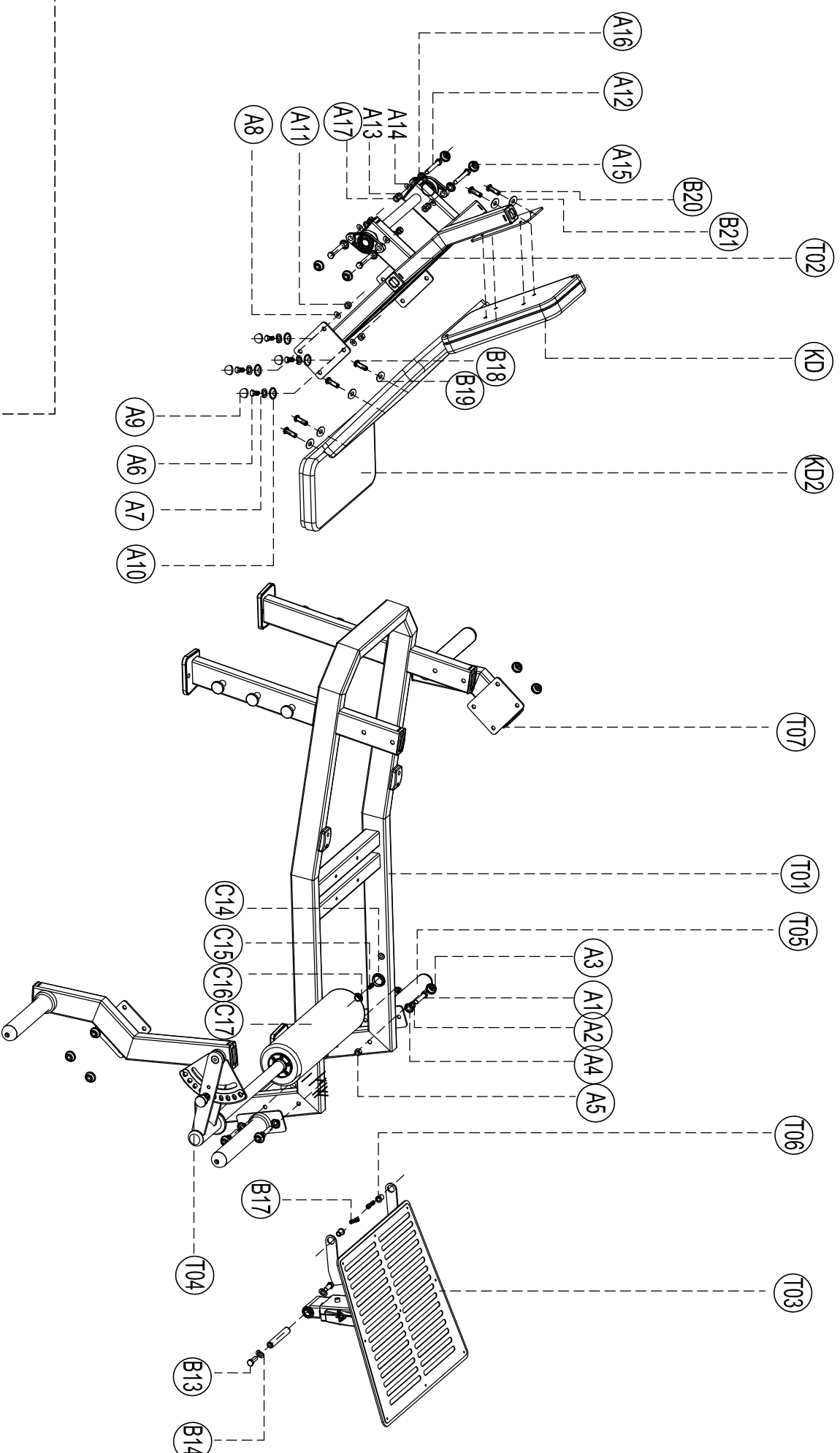


Exploded

E3092 Hip beautification

please note :prats didn't demoltionde part and fast eners not listde on the introduction



B21	Flat washer	φ 8	4
B20	Cup head inner hex screw	M8*25	4
B19	Flat washer	φ 8	4
B18	Cup head inner hex screw	M8*25	4
B17	Socket Cap inner hex	M10*30	2
B14	Spring washer	φ 12	2
B13	Outside hex screw	M12*20	2
A17	Self-locking nuts	M12	4
A16	Gasket	D0003	4
A15	Screw cap	S208	4
A14	Flat washer	φ 12	4
A13	Spring washer	φ 12	4
A12	Outside hex screw	M12*70	4
A11	Self-locking nuts	M12	8
A10	Gasket	D0003	8
A9	Screw cap	S208	8
A8	Flat washer	φ 12	8
A7	Spring washer	φ 12	8
A6	Outside hex screw	M12*25	8
A5	Self-locking nuts	M12	4
A4	Gasket	D0003	8
A3	Screw cap	S208	8
A2	Spring washer	φ 12	4
A1	Outside hex screw	M12*60	4
KD2	Cushion		2
KD	Cushion		1
T07	Counterweight arm		1
T06	Isolationsleeve		2
T05	Counterweight rod		2
T04	Movable arm set		1
T03	Pedal group		1
T02	Backrest frame		1
T01	Main frame		1

C17	Foam cotton	PM001	1
C16	Inner end cover	B305	1
C15	Flat sinking head screws	M8*55	1
C14	End cover	S089	1

