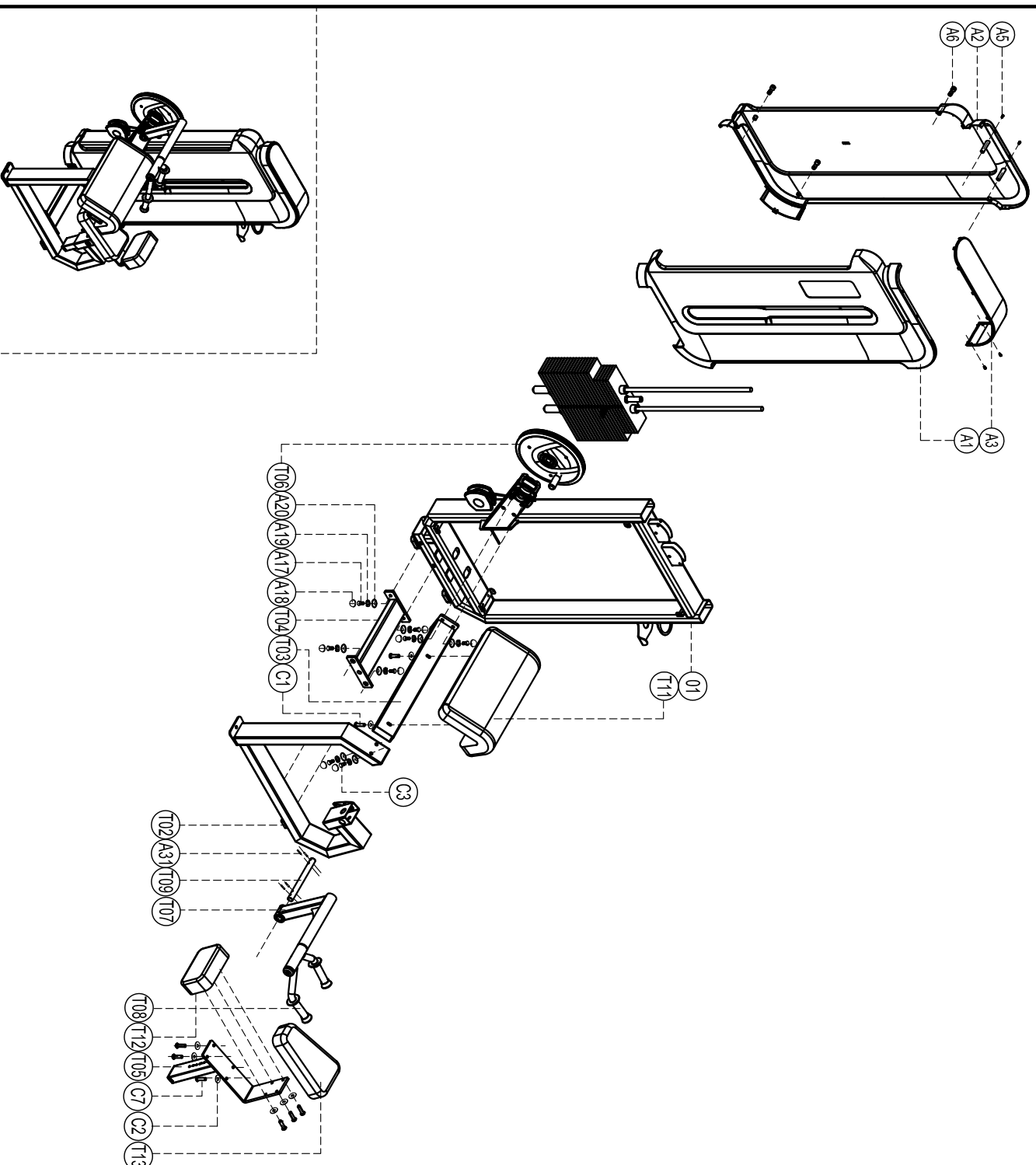


Exploded

H3028 Triceps Extension

please note :prats didn't demolitionide part and fast eners not listide on the introduction



| Number | Name | Quantity |
|--------|------------------------------------|----------|
| C7 | Cup head inner hex scre M8*35 | 8 |
| C3 | Outer hex screw M12*70 | 2 |
| C2 | Flat washer φ8 | 10 |
| C1 | Cup head inner screw M8*80 | 2 |
| A31 | Pin φ8*50 | 4 |
| A20 | Gasket D0003 | 8 |
| A19 | Spring washer φ12 | 8 |
| A18 | Screw cap S208 | 8 |
| A17 | Outer hex screw M12*35 | 8 |
| A6 | Cup head inner hex screw M5*15 | 8 |
| A5 | Cup head cross tapping screw S13*8 | 4 |
| A3 | Top cover | 1 |
| A2 | Back shroud | 1 |
| A1 | Front shroud | 1 |
| T13 | Ipohlstery D2203 | 1 |
| T12 | Backrest D2208 | 1 |
| T11 | Elbow cushion D2207 | 1 |
| T09 | Axle | 1 |
| T08 | Handle frame | 1 |
| T07 | L type working arm | 1 |
| T06 | Cam sets | 1 |
| T05 | Seat fixing | 1 |
| T04 | Bottom connector | 1 |
| T03 | Top connector | 1 |
| T02 | Main frame | 1 |
| 01 | Door frame | 1 |