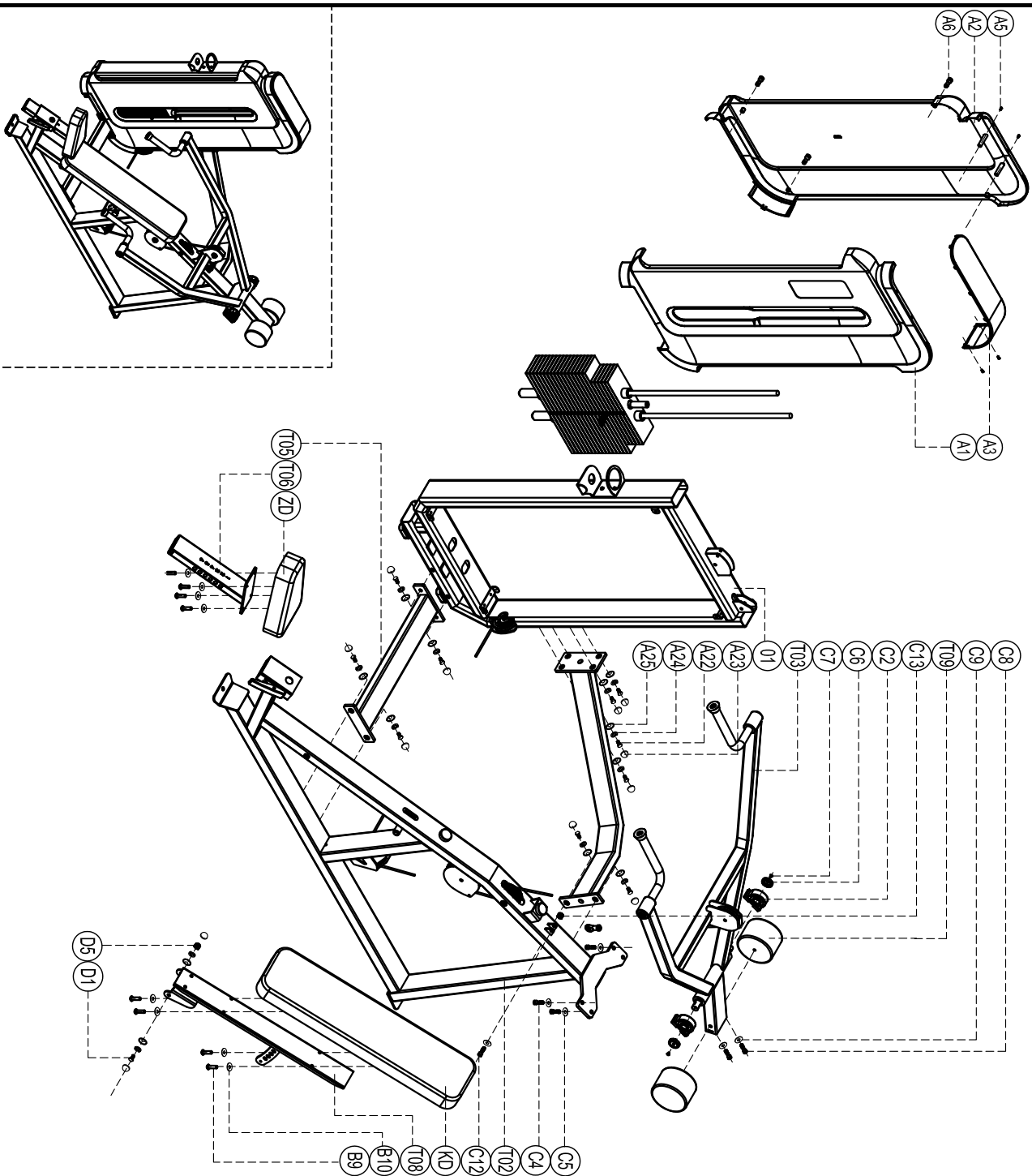


Exploded

H3013 Incline Press



please note :parts didn't demolitione part and fast eners not listide on the introduction

D5	Self lock nut	M10	1
D1	Shoulder screw	φ12*130	1
C13	Self lock nut	M8	4
C12	Shoulder screw	φ10*30	1
C9	Flat washer	φ12	2
C8	Socket cap innex hex	M12*35	2
C7	Sink inner hex screw	M6*10	2
C6	Cover	S264	2
C5	Flat washer	φ10	4
C4	Socket cap inner hex	M10*25	4
C2	Bearing basement	PA205	2
B10	Flat washer	φ8	8
B9	Cup head inner hex screw	M8*35	8
A25	Gasket	D003	12
A24	Spring washer	φ12	12
A23	Screw cap	S208	12
A22	Outer hex screw	M12*35	10
A6	Cup head inner hex screw	M5*15	8
A5	Cup head cross tapping screw	S1388	4
A3	Top cover		1
A2	Back shroud		1
A1	Front shroud		1
ZD	Buffering washer	DZ203	1
KD	Backrest	DZ215	1
09	Round weight		1
08	Cushion fixing set		2
06	Cushion adjustment		1
05	Bottom connector		1
04	Top connector		1
03	Movable arm set		1
02	Main frame		1
01	Door frame		1
Number	Name		quantity