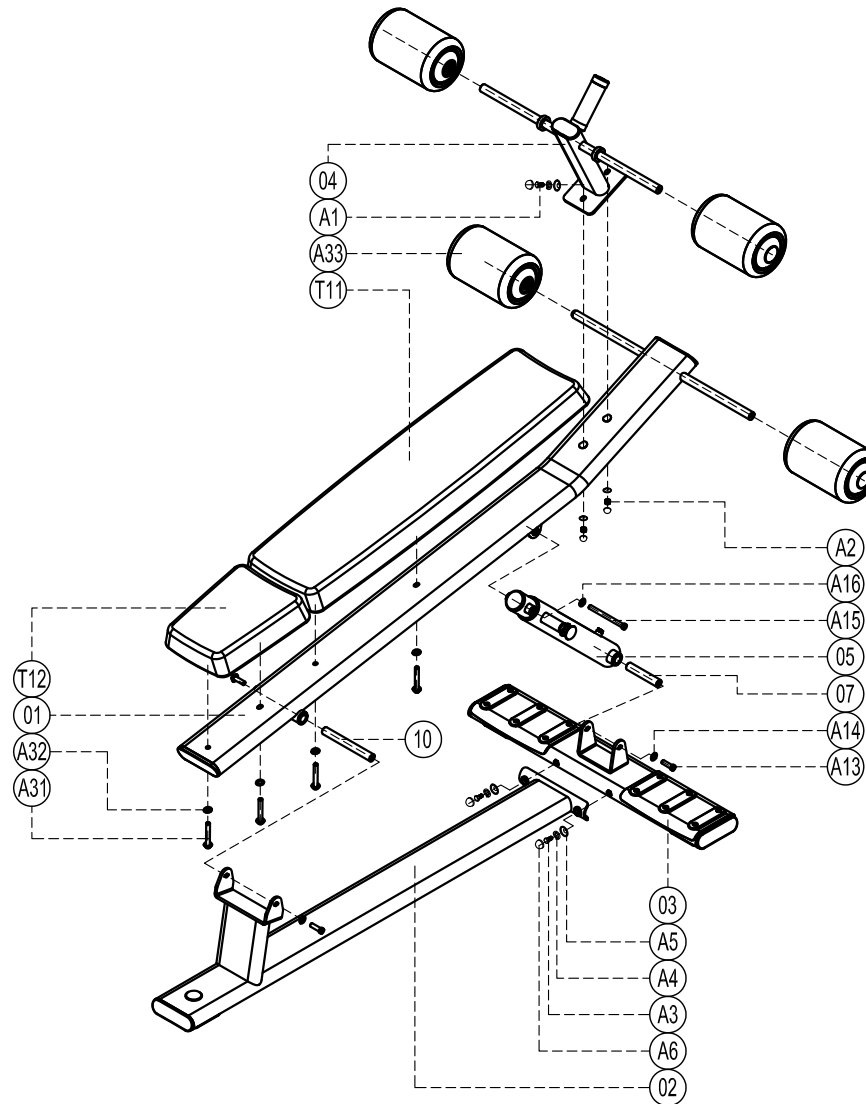


# Exploded

## E7037 Adjustable Decline Bench



please note :parts didn't demolitionde part and fast eners not listde on the introduction

|        |                                |          |
|--------|--------------------------------|----------|
| A33    | Short foam                     | 4        |
| A32    | Flat washer ø8                 | 4        |
| A31    | Cup head inner hex screw M8*75 | 4        |
| A16    | Flat washer ø10                | 2        |
| A15    | Socket Cap inner hex M10*110   | 1        |
| A14    | Flat washer ø10                | 4        |
| A13    | Socket Cap inner hex M10*20    | 4        |
| A6     | Screw cap                      | 6        |
| A5     | Drum gasket                    | 6        |
| A4     | Spring washer                  | 4        |
| A3     | Outer hex screw M12*35         | 2        |
| A2     | self lock nut M10              | 3        |
| A1     | Outer hex screw M10*60         | 2        |
| T12    | Upholstery                     | 1        |
| T11    | Backrest                       | 1        |
| 10     | Long connecting shaft          | 1        |
| 07     | connecting shaft               | 1        |
| 05     | selection sets                 | 1        |
| 04     | Handle set                     | 1        |
| 03     | Bottom frame                   | 1        |
| 02     | Supporting frame               | 1        |
| 01     | Backrest support               | 1        |
| Number | Name                           | Quantity |