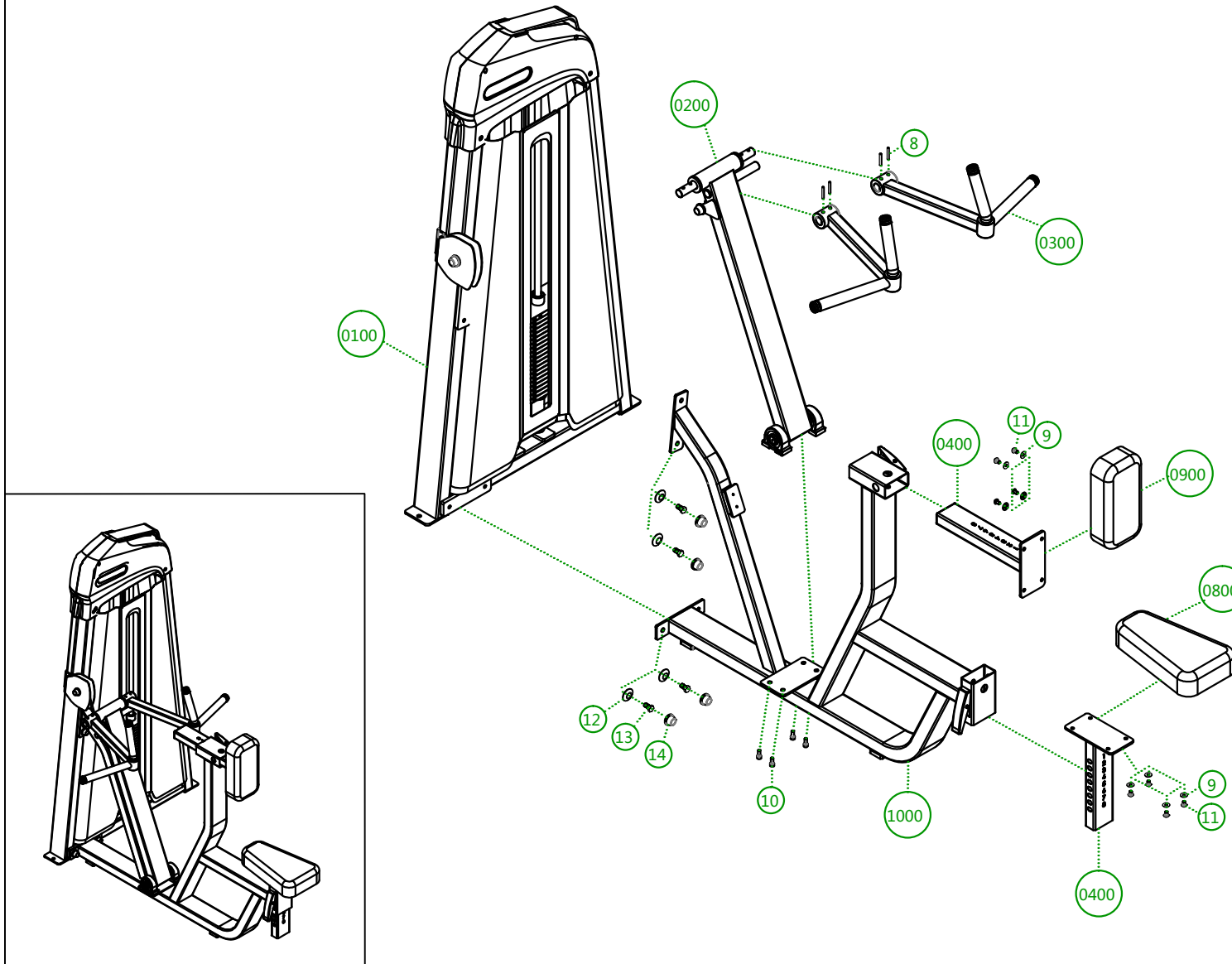


# LD-9034 Vertical row



LD9034 Vertical Row		
Installation steps:		
1. Install 0100 door group and 1000 support group		
2. Install 0200 movement arm part and 1000 support set		
3. Install 0200 movement arm part and 0300 handset		
4. Install 0400 cushion adjustment group and 1000 support group		
5. Install the mat		
No	Draw No	QTY
14	30 Screw cap	22
13	M12*20 hexagon bolt	22
12	12 Washer	22
11	M8*30 semicircle head screw hexagon	6
10	M8*20 Socket cap screw	4
9	8 Washer	10
8	8*50 Elastic cylindrical pin	4
7	1000 Support group	1
6	0900 Chest cushion	1
5	0800 Seat cushion	1
4	0400 Seat cushion adjustment group	2
3	0300 Handset	2
2	0200 movement arm part	1
1	0100 Door group	1

**LD9034 Vertical Row**

No	Name	QTY	Installation steps:
14	∅30Screw cap	22	1. Install 0100 door group and 1000 support group
13	M12*20hexagon bolt	22	2. Install 0200 movement arm part and 1000 support set
12	∅12 Washer	22	3. Install 0200 movement arm part and 0300 handle set
11	M8*30semicircle head screw hexagon	6	4. Install 0400 cushion adjustment group and 1000 support group
10	M8*20 Socket cap screw	4	5. Install the mat
9	∅8 Washer	10	
8	∅8*50 Elastic cylindrical pin	4	
7	1000 Support group	1	
6	0900 Chest cushion	1	
5	0800 Seat cushion	1	
4	0400 Seat cushion adjustment group	2	
3	0300 Hand set	2	
2	0200 movement arm part	1	
1	0100 Door group	1	